



# ES16-RS

## Electric Stacker 1.6t

High Strength Structure Suits High Racking Applications;  
Various Options Such As Foldable Platform, Protection Arm  
& Power Steering  
Side positioned drive system, easy to manage stability

EP EQUIPMENT CO.,LTD  
[www.ep-ep.com](http://www.ep-ep.com)



## FEATURE



### Performance:

- The innovative AC system offers strong power, accurate control, excellent performance.
- High strength vertical gearbox, longer working life.
- Low-noise but durable hydraulic unit, good quality cylinder as well as hose ensure the high reliability of hydraulic system.
- AMP connector electric wires and cables, greatly reducing electric parts failure rate.
- H shape channel mast improves the strength of the whole truck.
- High strength chassis enhances the reliability and durability of the truck.

### Safety:

- Safe hydraulic system design prevents mast from falling down abruptly when hydraulic pipeline cuts off.
- Full speed will be only available when protection arms are open, low speed mode will be automatic on otherwise.
- Emergency reverse belly button protects the operator from getting hurt.
- Emergency disconnecter will cut off power source to avoid accident when truck goes out of control.
- Multiple lifting limit protection ensures safety.
- Automatic switch to lower speed when the fork reaches its setting height.
- Auto-slow down feature on turning, ensure smooth and safe operation.
- Anti-rolling back brake keeps the truck from skidding down when truck is out of control or travelling on ramp.
- Dual monitoring power steering system

### Maintenance:

- AC traction motor, maintenance free.
- Hour meter and battery indicator remind the operator of battery charging.
- Remove the back cover by only loosening four bolts; Easy access to all key components for inspection, maintenance and replacement.
- Easy access for battery maintenance.
- Vertical motor makes the inspection & service much more convenient.
- Control system allows easy troubleshooting.
- Mast and chassis are assembled together, easy for maintenance.
- Low voltage cut off setting protects batteries.

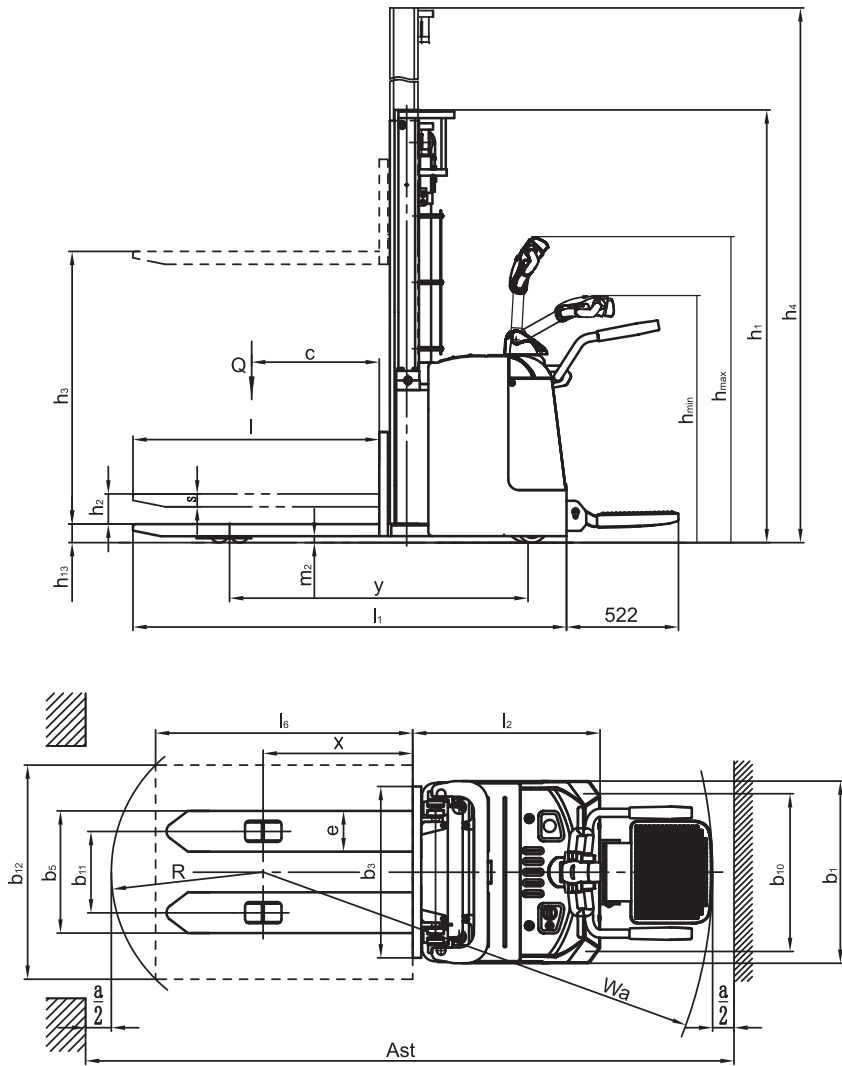
### Operation:

- Ergonomic tiller bounded with key switch, BDI and trouble shooting indicator enhances easy and accurate operation.
- Foldable platform reduces vibration which makes operator feel more comfortable when driving.
- When platform is folded, truck can work at low speed in smaller space.
- Ergonomical and durable protection arms guarantee easy operation, with innovative on/off design.
- Electric power steering, smooth & comfortable (EPS).

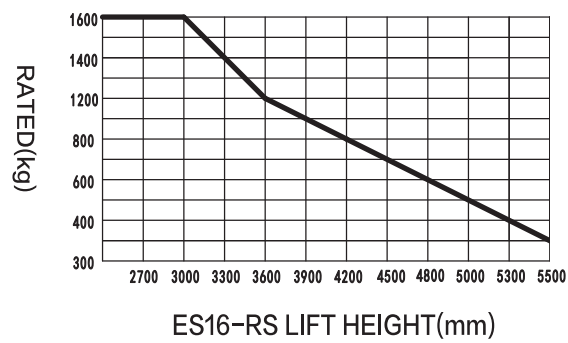
# Electric Stacker 1.6t ES16-RS

| Distinguishing mark |   |                 |        |                 |
|---------------------|---|-----------------|--------|-----------------|
| 1.1                 | Manufacturer  |                 |        | EP              |
| 1.2                 | Model designation                                       |                 |        | ES16-RS         |
| 1.3                 | Drive unit  |                 |        | Electric        |
| 1.4                 | Operator type   |                 |        | Standing        |
| 1.5                 | rated capacity  | Q               | kg     | 1600            |
| 1.6                 | Load center distance                                    | c               | mm     | 600             |
| 1.8                 | Load distance, centre of drive axle to fork             | x               | mm     | 693             |
| 1.9                 | Wheelbase   | y               | mm     | 1375            |
| Weight              |   |                 |        |                 |
| 2.1                 | Service weight (include battery)                        |                 | kg     | 1240            |
| 2.2                 | Axle loading, laden driving side/loading side           |                 | kg     | 960/1880        |
| 2.3                 | Axle loading, unladen driving side/loading side         |                 | kg     | 860/380         |
| Types,Chassis       |   |                 |        |                 |
| 3.1                 | Tyre type Driving wheels/Loading wheels                 |                 |        | PU/PU           |
| 3.2                 | Tyre size, driving wheels (diameter×width)              |                 | mm     | Φ230×75         |
| 3.3                 | Tyre size, loading wheels (diameter×width)              |                 | mm     | Φ85×70          |
| 3.4                 | Tyre size, caster wheels (diameter×width)               |                 | mm     | Φ130×55         |
| 3.5                 | Wheels, number driving, caster/loading (x=drive wheels) |                 | mm     | 1x +1/4         |
| 3.6                 | Track width, front,driving side                         | b <sub>10</sub> | mm     | 574             |
| 3.7                 | Track width,rear,loading side                           | b <sub>11</sub> | mm     | 380/410/495     |
| Dimensions          |   |                 |        |                 |
| 4.2                 | Height, mast lowered                                    | h <sub>1</sub>  | mm     | 2020            |
| 4.3                 | Free lift   | h <sub>2</sub>  | mm     | 100             |
| 4.4                 | Lift height   | h <sub>3</sub>  | mm     | 2950            |
| 4.5                 | Height, mast extended                                   | h <sub>4</sub>  | mm     | 3465            |
| 4.9                 | Height drawbar in driving position min./max.            | h <sub>14</sub> | mm     | 1150/1480       |
| 4.15                | Lowered height  | h <sub>13</sub> | mm     | 88              |
| 4.19                | Overall length  | l <sub>1</sub>  | mm     | 2030            |
| 4.20                | Length to face of forks                                 | l <sub>2</sub>  | mm     | 879             |
| 4.21                | Overall width   | b <sub>1</sub>  | mm     | 850             |
| 4.22                | Fork dimensions   | s/ e/ l         | mm     | 60×190×1150     |
| 4.24                | Fork carriage width                                     | b <sub>3</sub>  | mm     | 800             |
| 4.25                | Outside width of the forks                              | b <sub>5</sub>  | mm     | 570/600/685     |
| 4.32                | Ground clearance, center of wheelbase                   | m <sub>2</sub>  | mm     | 28              |
| 4.34.1              | Aisle width for pallets 1000 × 1200 crossways           | Ast             | mm     | 2605/2965       |
| 4.34.2              | Aisle width for pallets 800 × 1200 lengthways           | Ast             | mm     | 2575/2935       |
| 4.35                | Turning radius  | Wa              | mm     | 1730/2090       |
| Performance data    |   |                 |        |                 |
| 5.1                 | Travel speed, laden/ unladen                            |                 | km/ h  | 5.5/6.0         |
| 5.2                 | Lifting speed, laden/ unladen                           |                 | m/ s   | 0.13/0.16       |
| 5.3                 | Lowering speed, laden/ unladen                          |                 | m/ s   | 0.30/0.22       |
| 5.8                 | Max. gradeability, laden/unladen                        |                 | %      | 8/16            |
| 5.10                | Service brake type                                      |                 |        | Electromagnetic |
| Electric engine     |   |                 |        |                 |
| 6.1                 | Drive motor rating S2 60 min                            |                 | kW     | 1.6             |
| 6.2                 | Lift motor rating at S3 15%                             |                 | kW     | 3.0             |
| 6.3                 | The maximum allowed size battery                        |                 | mm     | 834×216×630     |
| 6.4                 | Battery voltage/nominal capacity K5                     |                 | V/ Ah  | 24/210          |
| 6.5                 | Battery weight  |                 | kg     | 200             |
| Addition data       |   |                 |        |                 |
| 8.1                 | Type of drive unit                                      |                 |        | AC              |
| 10.5                | Steering type   |                 |        | Electronic      |
| 10.7                | Sound pressure level at the driver's ear                |                 | dB (A) | 74              |

1.The parameters in the table are of the standard model. For more information please contact us.  
2.The parameters are subject to change without notice.



### RATED CAPACITIES GRAPH



## Mast Option

| Lift h3+h13 (mm) | mast types | Lowered mast height h1 (mm) | Free lift h2 (mm) | Extended mast height h4 (mm) |
|------------------|------------|-----------------------------|-------------------|------------------------------|
| 2700             | Duplex ZT  | 1870                        | 100               | 3165                         |
| 3000             |            | 2020                        | 100               | 3465                         |
| 3300             |            | 2170                        | 100               | 3765                         |
| 3600             |            | 2320                        | 100               | 4065                         |
| 3900             |            | 2470                        | 100               | 4365                         |
| 4170             |            | 2600                        | 100               | 4625                         |
| 4000             | Triplex DZ | 1822                        | 1390              | 4460                         |
| 4500             |            | 2022                        | 1590              | 4960                         |
| 4800             |            | 2122                        | 1690              | 5260                         |
| 5000             |            | 2187                        | 1740              | 5460                         |
| 5300             |            | 2287                        | 1840              | 5760                         |
| 5500             |            | 2352                        | 1910              | 5910                         |
| 2700             | Duplex ZZ  | 1819                        | 1320              | 3135                         |
| 3000             |            | 1969                        | 1470              | 3435                         |
| 3300             |            | 2119                        | 1620              | 3735                         |

## Option

| Options |                                      | ES16-RS                                |
|---------|--------------------------------------|--|
| 3       | Fork length                          | ●1150○1220                             |
| 4       | Fork width                           | ●570○600/685                           |
| 10      | Driving wheel                        | ●PU○Rubber wheel/PU wheel with Pattern |
| 11      | Balance wheel                        | ●                                      |
| 15      | cold storage                         | ○                                      |
| 16      | Mast screen                          | ○                                      |
| 17      | Battery indicator with hour meter    | ●                                      |
| 18      | Battery indicator without hour meter | ○                                      |
| 19      | Battery capacity                     | ●210AH○230AH/280AH                     |
| 20      | Lateral change battery               | ●                                      |
| 22      | Water auto-filling system            | ○                                      |
| 25      | Vertical handler working             | —                                      |
| 26      | Proportional lifting                 | ○                                      |
| 27      | Height limitation                    | ●                                      |
| 30      | Side shift                           | —                                      |
| 31      | half speed function in turning       | ●                                      |
| 32      | Guard arm                            | ●                                      |

Note: ● standard ○ option — NA