



ES 16-RSi

Electric Stacker 1.6t

- Carrying two pallets at a time doubles working efficiency
- Extraordinary traction crossing door and dock
- High strength struture suits high racking applications
- Various options such as foldable platform, protection arm & power steering
- Side positioned drive system, easy to manage stability

EP EQUIPMENT CO.,LTD
www.ep-ep.com

FEATURE

Performance

- The innovative AC system offers strong power, accurate control, excellent performance.
- High strength vertical gearbox, longer working life.
- Low-noise but durable hydraulic unit, good quality cylinder as well as hose ensure the high reliability of hydraulic system.
- AMP connector and durable electric wires greatly reduce malfunctions of components.
- H shape channel mast improves the strength of the whole truck.
- High speed(Up to 6 km/h unladen), High Efficiency of Material Handling Operations.



Safety

- Safe hydraulic system design prevents mast from falling down abruptly when hydraulic pipeline cuts off.
- Full speed will be only available when protection arms are open, low speed mode will be automatic on otherwise.
- Emergency reverse belly button protects the operator from getting hurt.
- Emergency disconnecter will cut off power source to avoid accident when truck goes out of control.
- Multiple lifting limit protection ensures safety.
- Automatic switch to lower speed when the fork reaches its setting height.
- Anti-rolling back brake keeps the truck from skidding down when truck is out of control or travelling on ramp.
- Auto-slow down feature on turning (EPS)
- Dual-monitoring power steering system.

Operation

- With the new design of ergonomical tiller head, all buttons can be reached conveniently & comfortably.
- Dual pallets lifting doubles working efficiency.
- Foldable platform reduces vibration which makes operator feel more comfortable when driving.
- When platform is folded, truck can work at low speed in smaller space.
- Ergonomical and durable protection arms guarantee easy operation with, innovative on/off design.
- Electric power steering, smooth & comfortable (EPS).

Maintenance

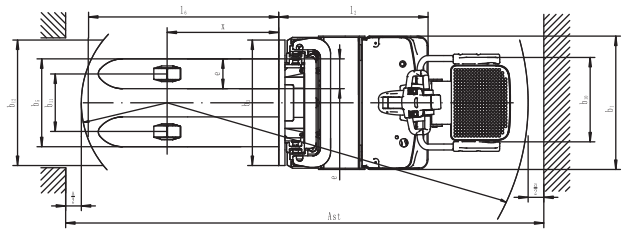
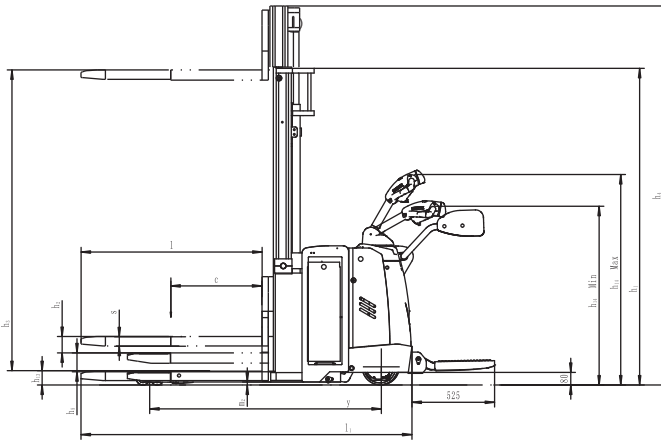
- AC traction motor, maintenance free.
- Hour meter and battery indicator remind the operator of battery charging.
- Remove the back cover by only losing two bolts; Easy access to all key components for inspection, maintenance and replacement.
- Easy access for battery maintenance.
- Vertical motor makes the inspection & service much more convenient.
- Control system allows easy trouble-shooting.
- Mast and chassis are assembled together, easy for maintenance.
- Low voltage cut off setting protects batteries.

Electric Stacker 1.6t

ES16-RSi

Distinguishing mark				
1.1	Manufacturer			EP
1.2	Model designation			ES16-RSi
1.3	Drive unit			Electric
1.4	Operator type			standing
1.5	rated capacity	Q	kg	1600
1.6	Load center distance	c	mm	600
1.8	Load distance, centre of drive axle to fork	x	mm	710
1.9	Wheelbase	y	mm	1460
Weight				
2.1	Service weight (include battery)		kg	1335
2.2	Axle loading, laden driving side/loading side		kg	1075/1860
2.3	Axle loading, unladen driving side/loading side		kg	935/400
Types,Chassis				
3.1	Tyre type Driving wheels/Loading wheels			PU/PU
3.2	Tyre size, driving wheels (diameter×width)		mm	Φ230x75
3.3	Tyre size, loading wheels (diameter×width)		mm	Φ85x70
3.4	Tyre size, caster wheels (diameter×width)		mm	Φ130x55
3.5	Wheels, number driving, caster/loading (x=drive wheels)		mm	1 x +1 / 4
3.6	Track width, front,driving side	b ₁₀	mm	574
3.7	Track width,rear,loading side	b ₁₁	mm	366
Dimensions				
4.2	Height, mast lowered	h ₁	mm	2020
4.3	Free lift	h ₂	mm	100
4.4	Lift	h ₃	mm	2907
	Lift height	h ₂₃	mm	3000
4.5	Height, mast extended	h ₄	mm	3460
4.6	Initial lift	h ₅	mm	120
4.9	Height drawbar in driving position min./max.	h ₁₄	mm	1150/1480
4.15	Lowered height	h ₁₃	mm	93
4.19	Overall length	l ₁	mm	2195
4.20	Length to face of forks	l ₂	mm	957
4.21	Overall width	b ₁ / b ₂	mm	850
4.22	Fork dimensions	s/ e/ l	mm	60/190/1150
4.24	Fork carriage width	b ₃	mm	800
4.25	Outside width of the forks	b ₅	mm	560
4.31	Ground clearance, laden, below mast	m ₁	mm	20
4.32	Ground clearance, center of wheelbase	m ₂	mm	20
4.34.1	Aisle width for pallets 1000 × 1200 crossways	A _{st}	mm	2665/3092
4.34.2	Aisle width for pallets 800 × 1200 lengthways	A _{st}	mm	2597/3024
4.35	Turning radius	W _a	mm	1765/2192
Performance data				
5.1	Travel speed, laden/ unladen		km/ h	5.5/6
5.2	Lifting speed, laden/ unladen		m/ s	0.11/0.16
5.3	Lowering speed, laden/ unladen		m/ s	0.14/0.12
5.8	Max. gradeability, laden/unladen		%	8/16
5.10	Service brake type			Electromagnetic
Electric-engine				
6.1	Drive motor rating S2 60 min		kW	1.6
6.2	Lift motor rating at S3 15%		kW	3
6.3	The maximum allowed size battery		mm	815X630X208
6.4	Battery voltage/nominal capacity		V/ Ah	280
6.5	Battery weight		kg	270
Addition data				
8.1	Type of drive unit			AC
10.5	Steering type			Electronic
10.7	Sound pressure level at the driver's ear			74

If there are improvements of technical parameters or configurations, no further notice will be given.
The diagram shown may contain non-standard configurations.



Mast Option

mast types	Lift h3+h13 (mm)	Lowered mast height h1 (mm)	Free lift h2 (mm)	Extended mast height h4 (mm)
Duplex ZT	2700	1870	100	3165
	3000	2020	100	3465
	3300	2170	100	3765
	3600	2320	100	4065
	3900	2470	100	4365
	4200	2600	100	4625
Duplex ZZ	2700	1819	1320	3135
	3000	1969	1470	3435
	3300	2119	1620	3735
Triplex DZ	4000	1822	1390	4460
	4500	2022	1590	4960
	4800	2122	1690	5260
	5000	2187	1760	5460

Option

Options	ES16-RSi
Fork length	●1150 ○1220
Fork width	—
Mast screen	—
Driving wheel	●PU ○Rubber wheel/Pu wheel with pattern
Balance wheel	—
Battery capacity	●280AH ○360AH
Lateral change battery	—
cold storage	—
Battery indicator with hour meter	●
Battery indicator without hour meter	○
Proportional lifting	—
Height limitation	—
half speed function in turning	●
Vertical handler working	—
Side shift	—
Water auto-filling system	○
Guard arm	—

Note: ● standard ○ option — NA